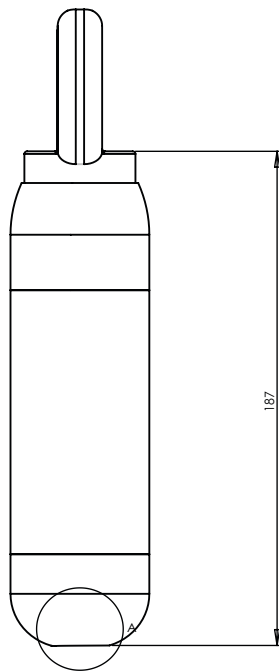
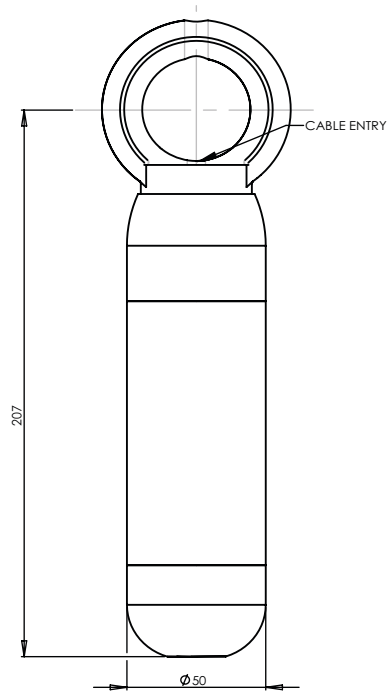
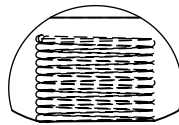


# DATA SHEET: TILT SWITCH



BOTTOM CAP DETAIL  
M20 X 2.5 6H



## HOUSING:

Materials:

- Outer Casing: - Mild Steel
- Bottom Cap: - Mild Steel
- Top Cap: - Mild Steel
- Inner Housing: - Pom C
- M20 Eye Bolt: - Mild Steel Galvanized
- O-Ring 34ID x 3T: - Nitrile
- O-Ring 39ID x 3T: - Nitrile

## SENSORS

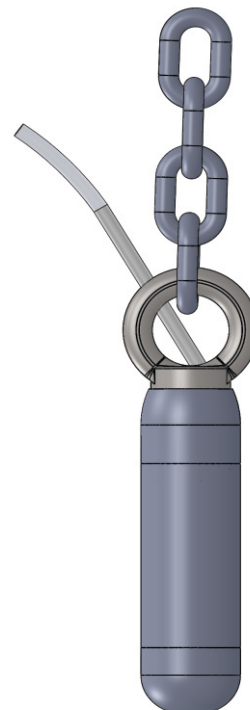
- Type: - Switch: Nc
- Nominal Voltage: - 3A 0-250VAC / 2A 0-30VDC
- Tilt Angle: - 30 or 45 Degrees +/- 5 Degrees

## WEIGHT

- Tilt switch: ± 2.1KG (Excluding Chain)

## LENGTH

- Chain: - 1.5M
- Cable: - 3M



WIRING DIAGRAM

