

Installation and operating manual

Contents

1. Introduction
2. Installation
3. PCB layout and controls
4. Start up and optimising performance

AVP-X50™

SemiSmart VALVE POSITIONER

Introduction

Fully Microprocessor controlled positioner – microprocessor compensates dynamically for changing temperature, pressure and mechanical. Full PID software allowing very accurate control.

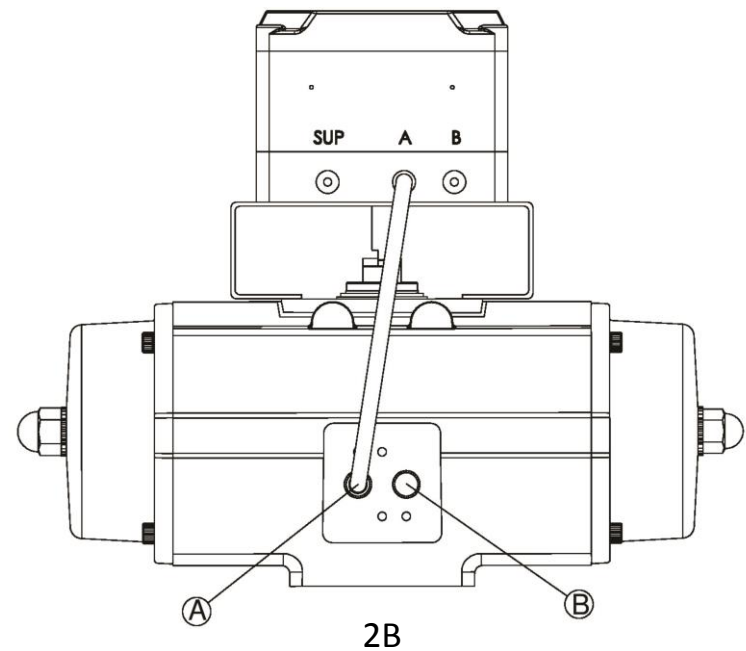
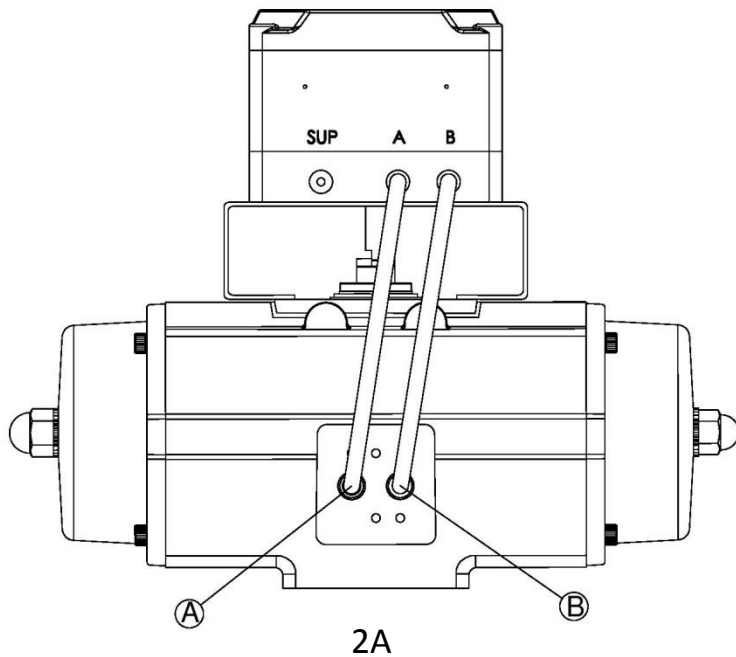


TrewFit Controls™
Fits Your Global Process Automation Solution

Installation

For Namur quarter turn Actuators:

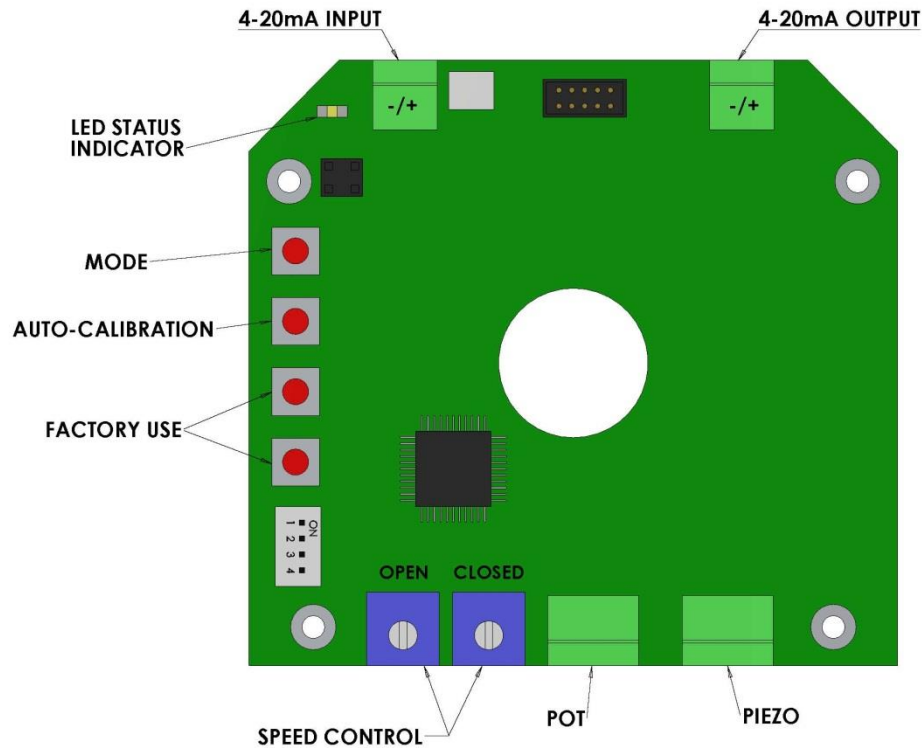
Install as per 2A for double acting actuators or spring return with air assist , 2B for spring return single acting.



AVP-X50™

SemiSmart VALVE POSITIONER

PCB layout and controls



Start-up and optimising performance

1. After installation and connecting of the signal set input signal to 16mA and set Speed potentiometers to 15% (CW to close).

- Depress Auto-cal button LED will flash, 5,4 and 3 times
- Auto-cal (approximately 180s)
- Once done, the LED will stay on.
- Depress mode button, Test open and closed using the signal, should there be any overshoot adjust the speed control lower until gone, for bigger actuators or to increase speed adjust the damping up CCW.